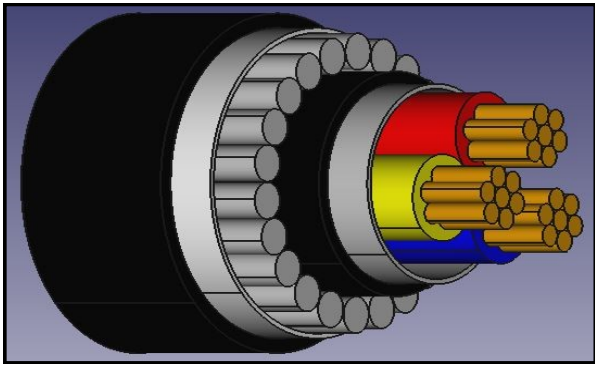


Construction of Cable: 600/1000V Armoured Power Cable

Drawing:



Application:

For electricity supply and generally use for fixed installation system, are installed in open air, underground, in cable ducts, outdoor and indoor, power stations, for industry and distribution boards as well as in subscriber networks where there may be a risk of mechanical damage.

NO.	DESCRIPTION	PVC Insulated PVC Sheathed
1	Conductor	Circular stranded, circular compact stranded or sector shaped stranded plain annealed copper wire according to IEC60228 class 2
2	Identification of cores: Single core – Natural or Black Two cores – Red and Black Three cores – Red, Yellow and Blue Four cores – Red, Yellow, Blue and Black Five cores and above: (number) 1, 2, 3, 4, 5..., and the number shall be blue or black printed on White cores.	Polyvinyl chloride compound (PVC) type PVC/A according to IEC60502
3	Laying Up	Cores stranded together. Binder tape and non-hygroscopic filler may be applied where necessary
4	Separation sheath shall be black	PVC type ST1 according to IEC60502
5	Armour	Single core – single layer of non-magnetic material eg aluminium wire Two cores and above – single layer of galvanized steel wire Binder tape may be applied where necessary
6	Outer sheath shall be black Upon request: - Anti-Termite sheathing - Anti-Rodent sheathing - UV protection sheathing - Higher Flame Retardant sheathing	PVC type ST1 according to IEC60502

TECHNICAL DATA

1	Voltage	600/1000V
2	Maximum Conductor Temperature	70°C
3	Reference	MS2103 IEC60502-1
4	Testing Voltage	3500V
5	Minimum Bending Radius	8 X Bending Radius