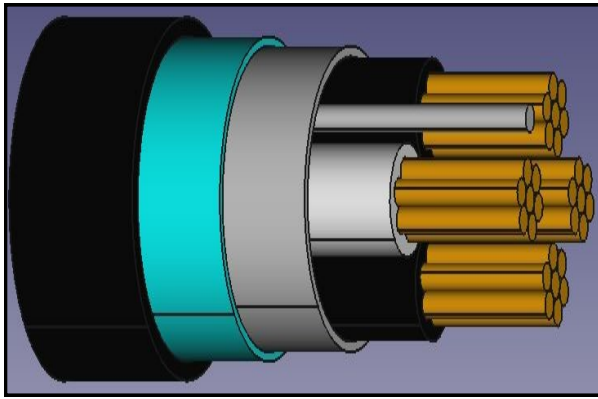


**Construction of Cable: 300/500V Non-Armoured Instrumentation Cable
(Overshielded - PAIR)**

Drawing:



Application:

Instrumentation non-armoured cables are generally used in the petroleum and petrochemical industries. These cables are generally for indoor control applications and they are designed for use in intrinsically safe system. The cables are overall shielded for isolation and noise reduction.

| NO. | DESCRIPTION | PVC Insulated PVC Sheathed |
|-----|---|---|
| 1 | Conductor | Circular stranded plain annealed copper wire according to IEC60228 |
| 2 | Identification of cores: Single pair – Black and White Multi pairs and above: Number 1, 2... and the number shall be yellow or black printed on White cores. | Polyvinyl chloride compound (PVC) type TII according to BS EN50288-1 |
| 3 | Laying Up | Pairs stranded together. Binder tape and non-hygroscopic filler may be applied where necessary |
| 4 | Overall Screen | Aluminium polyester tape with metallic side downward in contact with a 0.5mm ² tinned copper drain wire (OPTIONAL) |
| 5 | Outer sheath shall be black | PVC type TM5 1 according to BS EN50288-1 |

TECHNICAL DATA

| | | |
|---|-------------------------------|--------------------|
| 1 | Voltage | 300/500V |
| 2 | Maximum Conductor Temperature | 70°C |
| 3 | Reference | BS EN50288-7 |
| 4 | Testing Voltage | 1000V |
| 5 | Minimum Bending Radius | 8 X Bending Radius |